



IBS E21 CASE ERECTOR



Ideal for:
**Machine lines for food industry,
medical industry, distribution
centers etc.**

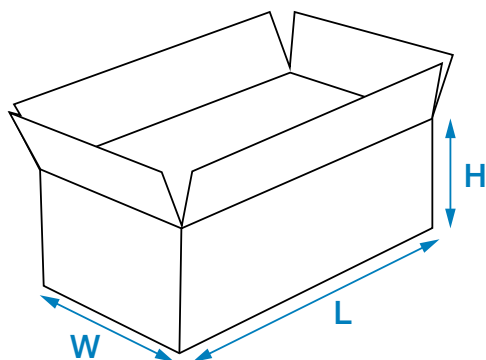
LUNDGREN MACHINERY
– for an everyday smooth production –

IBS E21

”A stainless, flexible and compact case erector with a simple size change over.”

Flexible and easy to handle:

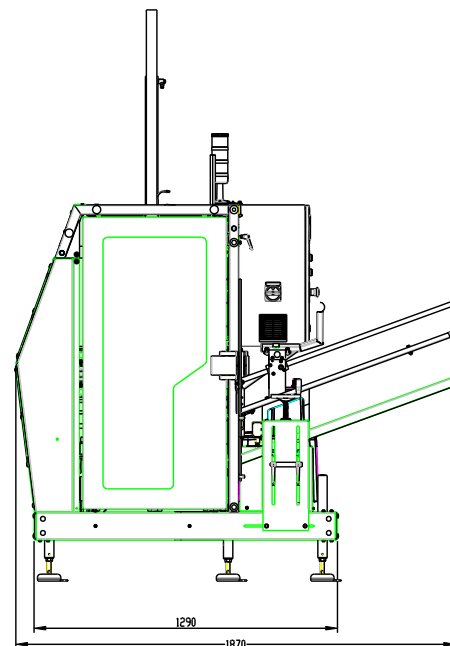
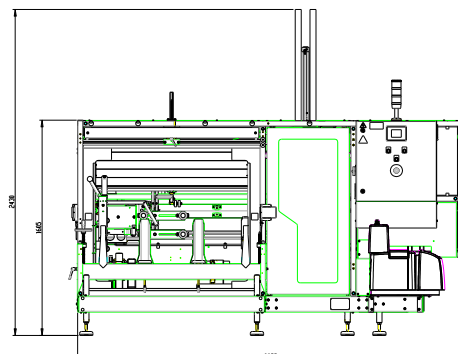
The machine is of a solid design in stainless steel and erects, folds and seals corrugated board cases with hot melt. It can be supplied with either right- or left hand discharge direction. It is easy to handle, require a minimum of maintenance and is easy adjustable between different case sizes. Thanks to the special parallelogram mechanism the machine can cover a wide format range despite its compact construction. You can also choose equipment from our option list as an complement and to specify it for your individual need's. E.g. hand-wheel adjusted middle section, motor powered extended magazine and Ink-jet printer that prints direct on demand on the case before erecting it, which gives a printing on two sides of an erected box.



Machine range, case sizes and capacities

Type	Hot-Melt	L (mm)		W (mm)		H (mm)		Cases/Min.
		min	max	min	max	min	max	
E21m	x	200	600	150	400	100	400	18
E21hs	x	300	600	200	300	100	400	25

Lundgren Machinery AB manufactures machinery and other appliances primarily for the food-, chemical- and pharma-ceutical sectors. After a hundred years we can, with a good conscience, safely say that we are a reliable partner. With us you can expect cutting edge technology, short lead times, high quality, secure delivery times and not least, a reliable supplier. Find our contact information and more information about us on www.lundgrenmachinery.se. More news and all about us via our App at AppStore and Google play for our latest development's.



Specifications:

Air consumption: 35 l free air/case.

Air connection: 1/2 inch; 600 kPa.

Electrical: 3x400V AC + N + PE, 50 Hz, Fuse 16 Amps.

Control: IMC.

Drive: Pneumatic or servo controlled motor.

Weight: 400 kg

LUNDGREN MACHINERY
- for an everyday smooth production -