



# IBS C12 CASE SEALER



*"A modular model which can be adapted with Tape or Hot-Melt or both"*

**LUNDGREN MACHINERY**  
– for an everyday smooth production –

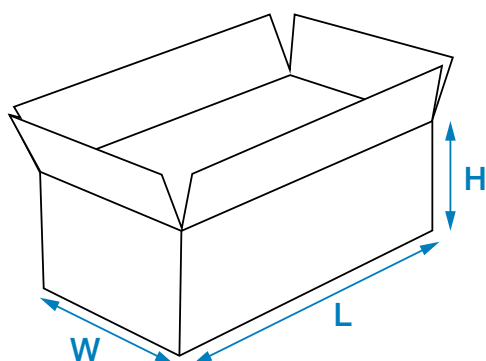
[www.lundgrenmachinery.se](http://www.lundgrenmachinery.se)

# IBS C12

”A modular model which can be adapted with Tape or Hot-Melt or both”

## Flexible and easy to handle:

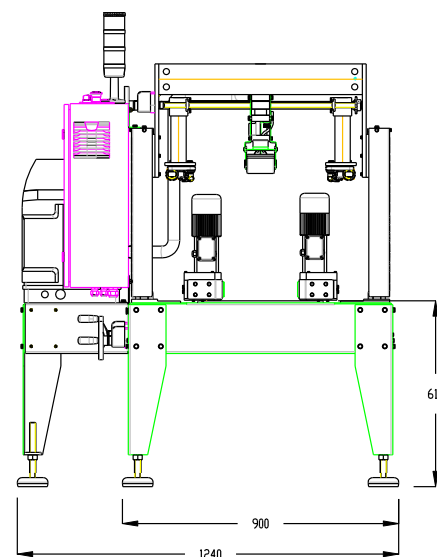
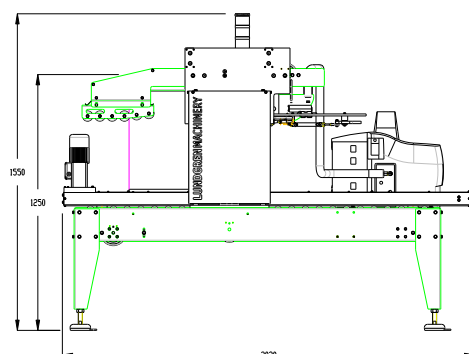
The machine is of a solid design in stainless steel, automatic folds and seals corrugated board cases with tape and or Hot-melt. It can be supplied with either right- or left hand discharge direction. It is also ergonomic, easily accessible and requires a minimum of floor space. Choices for the model is many, Top-closing with tape or Hot-melt or if needed both. You can also choose a model to close in bottom with tape and the version both top and bottom closing. When to close the box a motor powered driven side belts takes control of the box thru the tape and/or glue station. Nordson ProBlue as standard when Hot-Melt (Robatech optional).



Machine range, case sizes and capacities

Type	Tape/Glue	L (mm)		W (mm)		H (mm)		Cases/Min.
		min	max	min	max	min	max	
C12TT	Tape	200	600	150	400	150	400	20
C12TBT	Tape	200	600	150	400	150	400	20
C12TG	Hot-Melt	200	600	150	400	150	400	20
C12BT+TG	Tape/ Hot-Melt	200	600	150	400	150	400	20

Lundgren Machinery AB manufactures machinery and other appliances primarily for the food-, chemical- and pharma-ceutical sectors. After a hundred years we can, with a good conscience, safely say that we are a reliable partner. With us you can expect cutting edge technology, short lead times, high quality, secure delivery times and not least, a reliable supplier. Find our contact information and more information about us on [www.lundgrenmachinery.se](http://www.lundgrenmachinery.se). More news and all about us via our App at AppStore and Google play for our latest development's.



## Specifications:

Electrical: 3x400V AC + N + PE, 50 Hz,  
Fuse 16 Amps.

Control: Festo.

Drive: Pneumatic Festo

**LUNDGREN MACHINERY**  
- for an everyday smooth production -